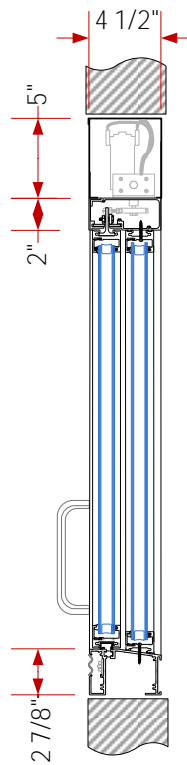


	Width	Height	Thick
Overall Unit Dimensions	53 1/2in	37 1/2in	4 1/2in
Service Opening Dimensions	23 in	27 1/8in	N/A

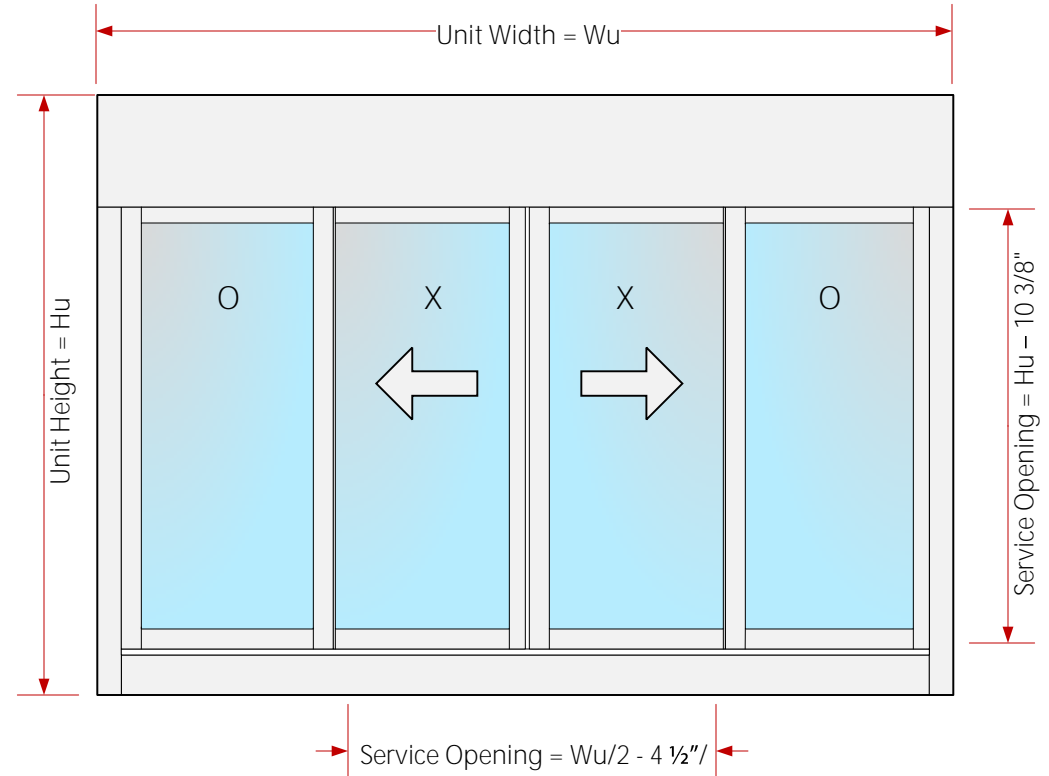
	SB 100-1	SB 200-1	SB 300-1
Manual Open / Close		●	
Automatic Open / Close	●		
Manual Open / Self Close			●
OX or XO Slide Configuration	●	●	●
Oversize Pull Handle		●	●
Adams-Rite Locks		●	●
3 Position Logic Lock	●		
Drop Down Security Bar	●	●	●
Built-in Alarm Contacts	●	●	●
Security Override	●		
Illuminated Greeting Panel	Option	Option	Option
Stainless Steel Sill	Option	Option	Option

Standard Finishes	Class II Clear Anodized Class II Dark Bronze Anodized
Custom Finishes	Class II Black Anodized Class II Light Bronze Anodized Powder Coat Durachron Baked Enamel Duranar High Performance Baked Enamel
Standard Glass Options	1" Insulated Glass (1/8" - 1/8" Clear Tempered) 1/4" Clear Tempered Glass 1/4" Clear Tempered Laminated Glass
Custom Glass Options	For Tints and other Glass Make-ups Call Easi-Serv

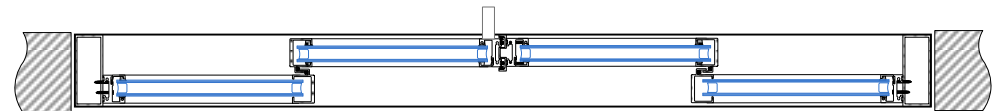
VERTICAL SECTION



EXTERIOR ELEVATION



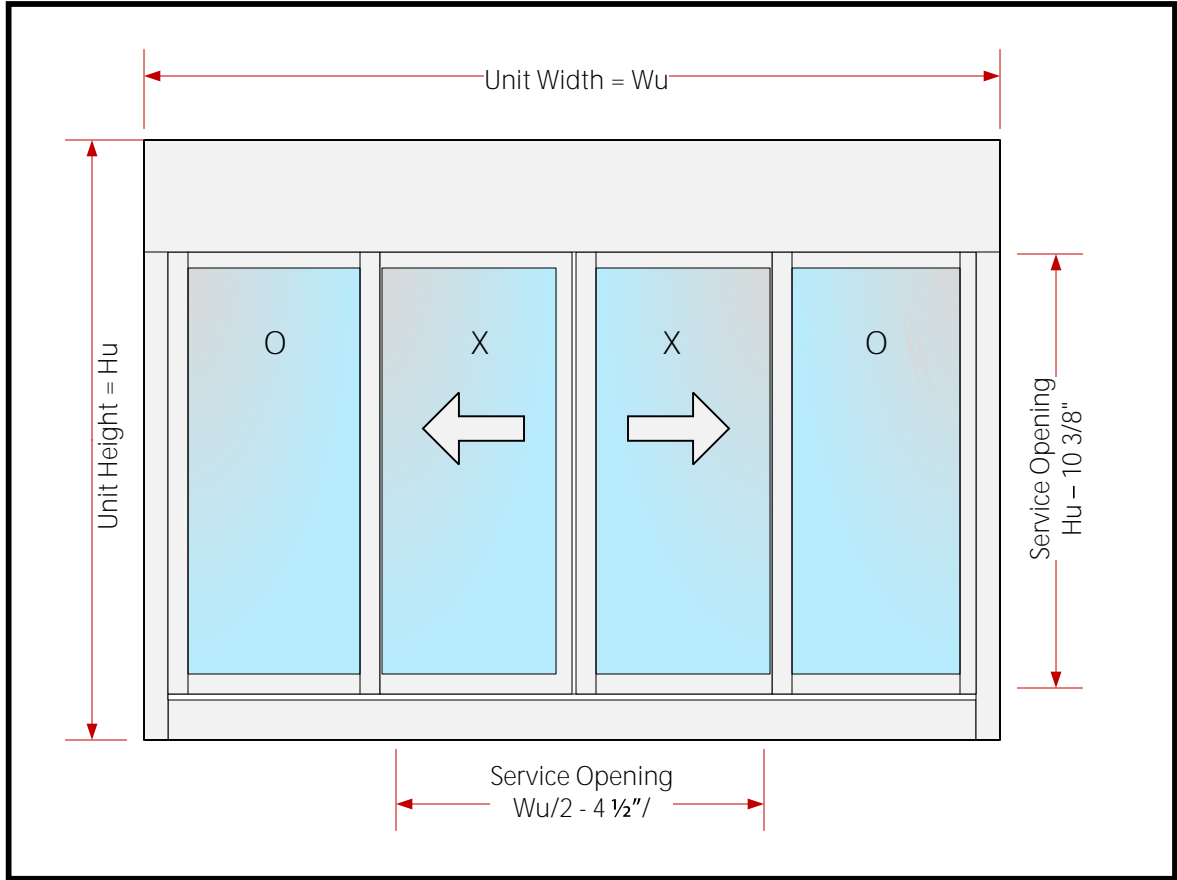
HORIZONTAL SECTION

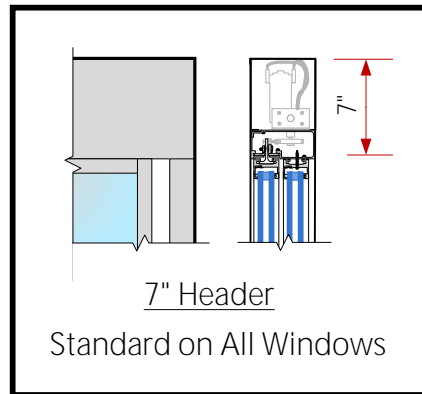


Unit 302, 6741 Cariboo Rd.
Burnaby, B.C.
Canada V3N 4A3
Tel: 604.422.8611
Fax: 604.422.8376
www.easi-serv.com

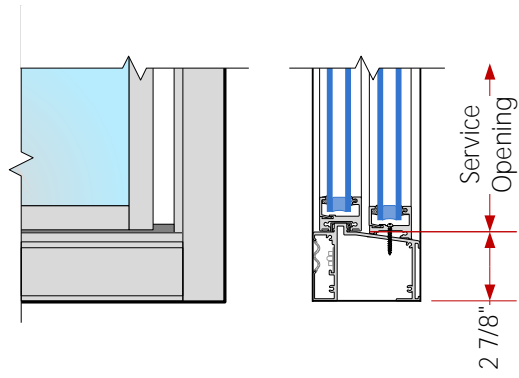
Project: Transaction Windows
 Drawn: PJF Scale: 1" : 1ft Revision: 2015

Title: In Line Bi-Parting Side Slider
Custom Size
SB-C Series
 Date Drawn: 19/2/2010 Job: Design Sheet: SB-C

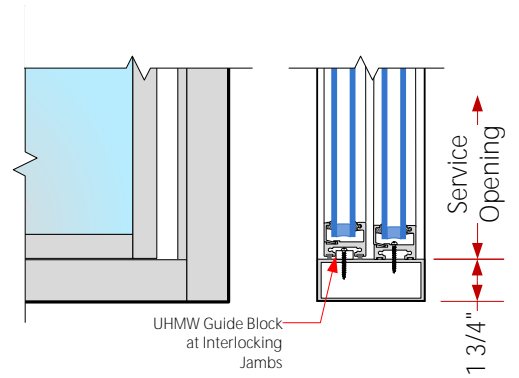




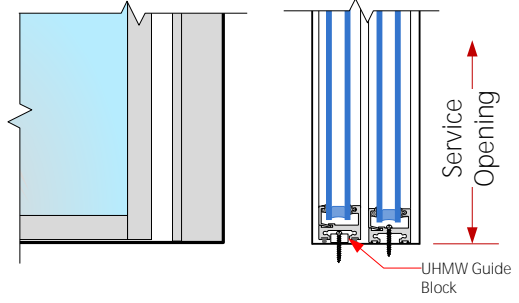
7" Header
Standard on All Windows



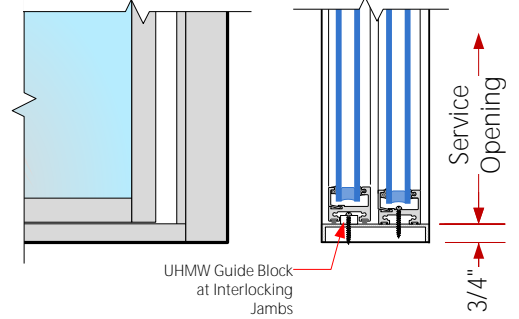
2 7/8" Tube Sill
Standard on all windows



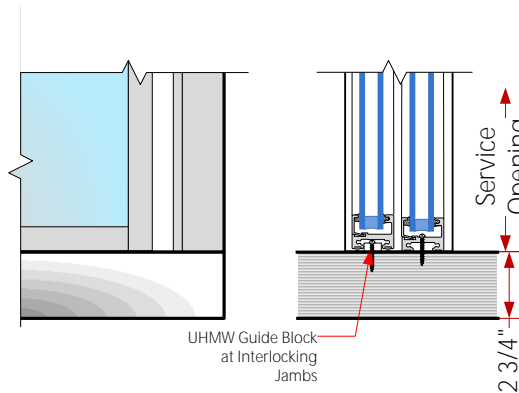
1 3/4" Tube Sill



No Sill



3/4" Tube Sill



2 3/4" High Stainless Steel Base