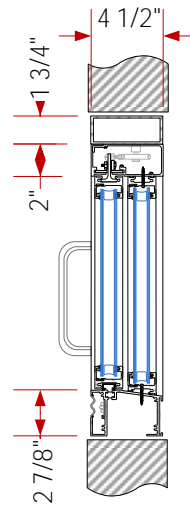


	Width	Height	Thick
Overall Unit Dimensions	36in	20in	4 1/2in
Service Opening Dimensions	13 7/8in	13 1/4in	N/A

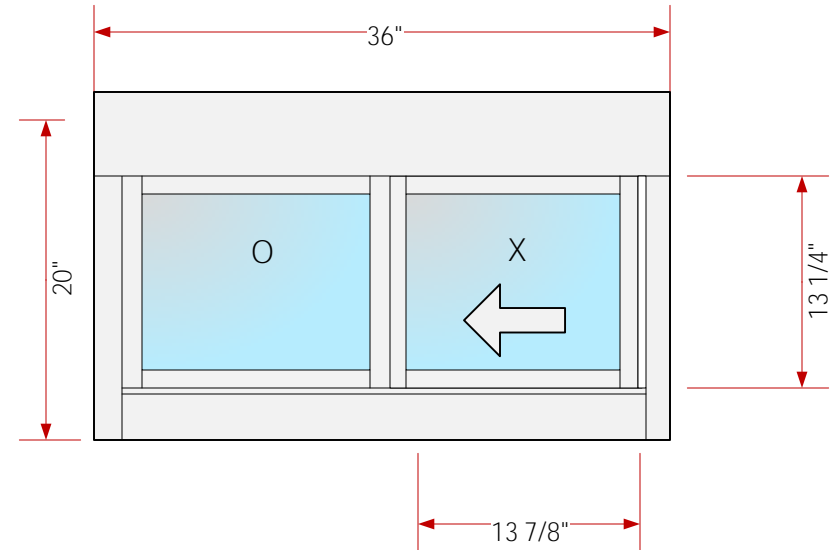
	SS 200-6
Header Height	3 3/4"
Manual Open / Close	●
Automatic Open / Close	
Manual Open / Self Close	
OX or XO Slide Configuration	●
Oversize Pull Handle	●
Adams-Rite Locks	●
3 Position Logic Lock	
Drop Down Security Bar	●
Built-in Alarm Contacts	●
Security Override	
Illuminated Greeting Panel	Option
Stainless Steel Sill	Option

Standard Finishes	Class II Clear Anodized Class II Dark Bronze Anodized
Custom Finishes	Class II Black Anodized Class II Light Bronze Anodized Powder Coat Durachron Baked Enamel Duranar High Performance Baked Enamel
Standard Glass Options	1" Insulated Glass (1/8" - 1/8" Clear Tempered) 1/4" Clear Tempered Glass 1/4" Clear Tempered Laminated Glass
Custom Glass Options	For Tints and other Glass Make-ups Call Easi-Serv

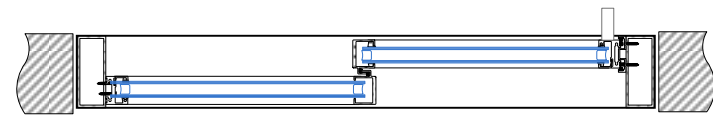
VERTICAL SECTION



EXTERIOR ELEVATION



HORIZONTAL SECTION



Unit 302, 6741 Cariboo Rd.
Burnaby, B.C.
Canada V3N 4A3
Tel: 604.422.8611
Fax: 604.422.8376
www.easi-serv.com

Project: Transaction Windows

Title: In Line Side Slider
SS-6 Series

Drawn: **PJF** Scale: **1" : 1ft** Revision: **2015** Date Drawn: **19/2/2010** Job: **Design** Sheet: **SS-6**