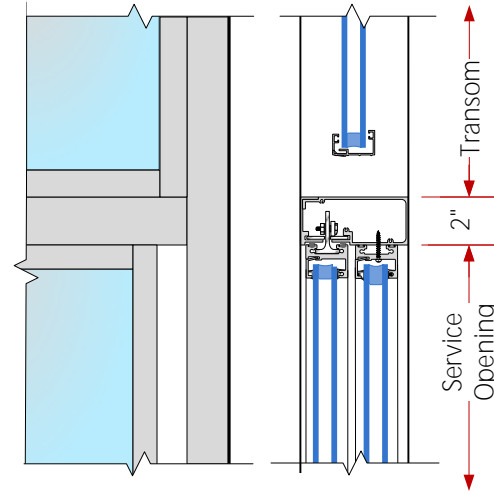
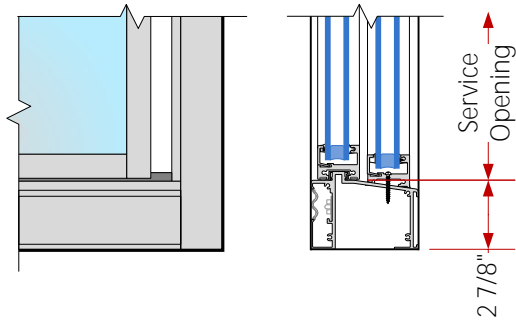


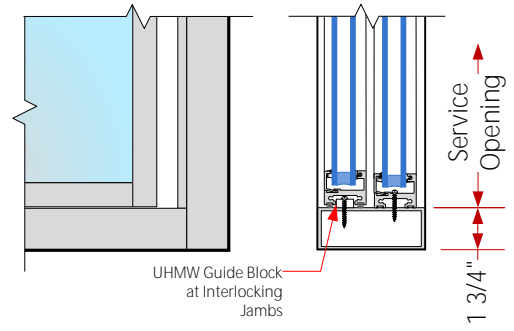
7" Header  
 Standard on Automatic Window and  
 Electronic Hold and Release Windows



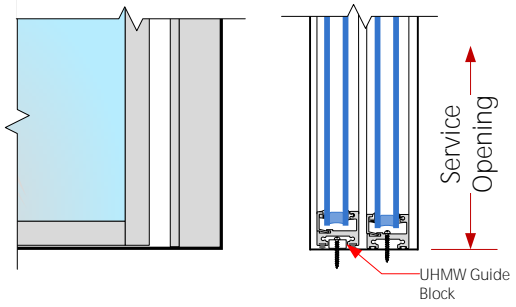
2" Header  
 Standard on Manual Windows



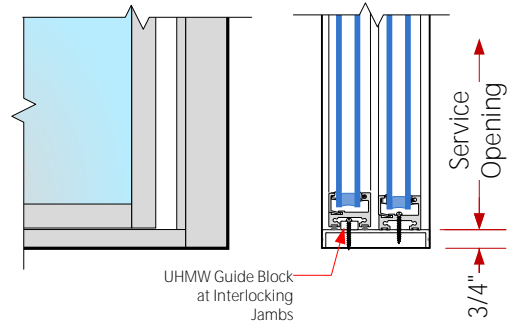
2 7/8" Tube Sill  
Standard on all windows



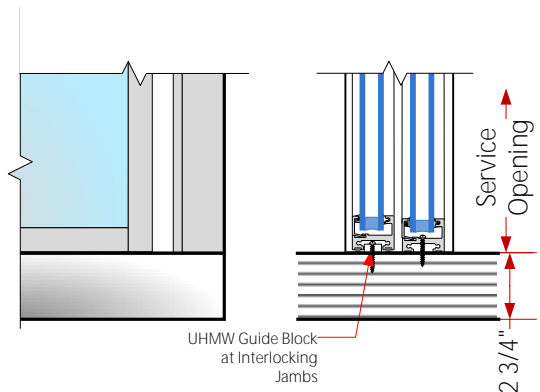
1 3/4" Tube Sill



No Sill



3/4" Tube Sill



2 3/4" High Stainless Steel Base