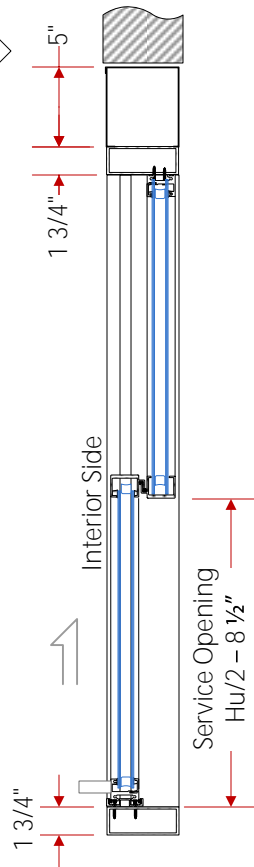


VERTICAL SECTION

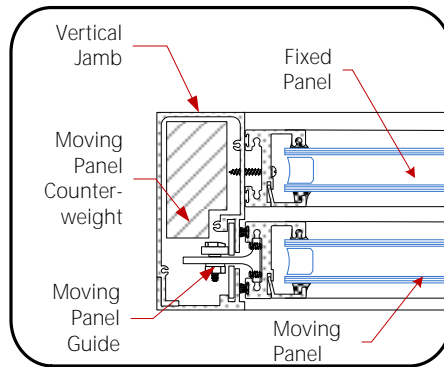
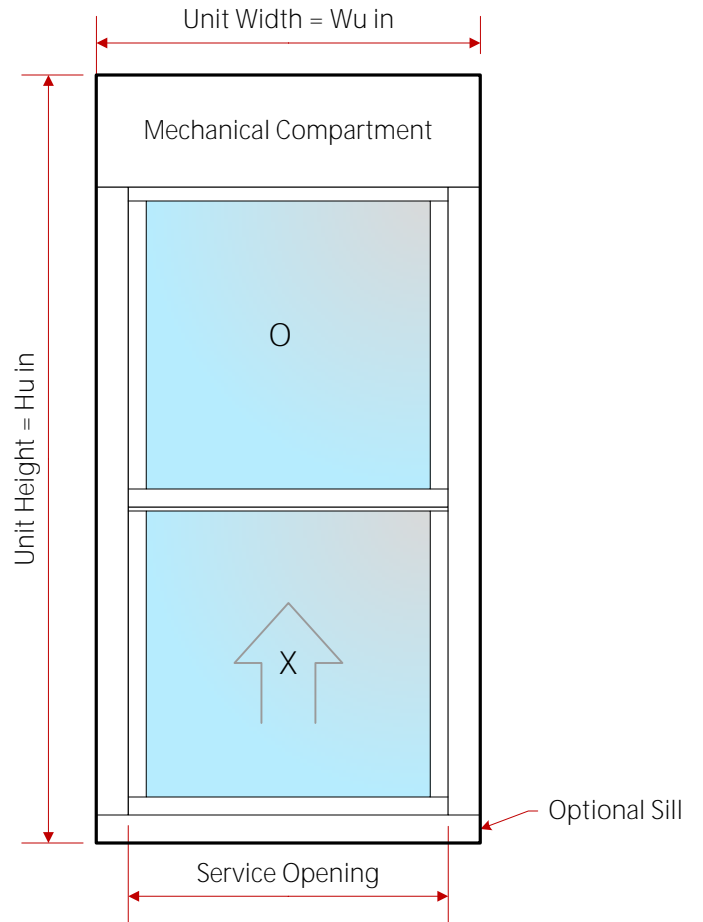
Overall Unit Dimensions	Width Wu in	Height Hu"	Thick 4 1/2"
Service Opening Dimensions	(Wu-4")/2	Hu-10"	NA

	SUI 100-1	SUI 200-1
Automatic Open / Close	●	
Manual Open / Close		●
Optical Sensor	●	
Logic Lock	●	●
Oversize Pull Handle		●
Built-in Alarm Contacts	●	●

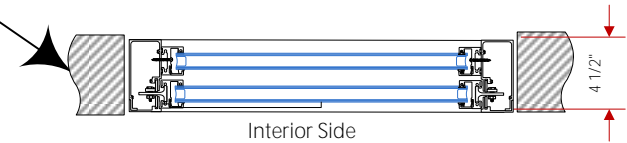
Standard Finishes	Class II Clear Anodized Class II Dark Bronze Anodized
Custom Finishes	Class II Black Anodized Class II Light Bronze Anodized Powder Coat Durachron Baked Enamel Duranar High Performance Baked Enamel
Standard Glass Options	1" Insulated Sealed Unit with (2) 1/8" Clear Tempered Glass and 3/4" Space Bar 1/4" Clear Tempered Glass 1/4" Clear Tempered Laminated Glass
Optional Glass Options	For Tints and other Glass Make-ups Call Easi-Serv



EXTERIOR ELEVATION



HORIZONTAL SECTION

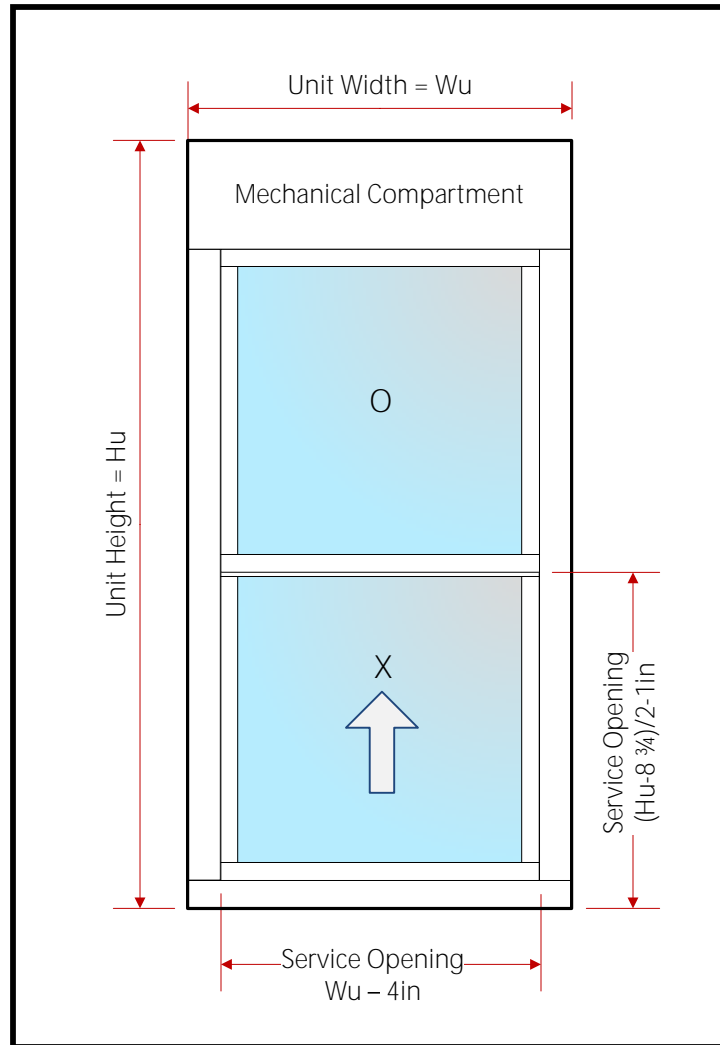


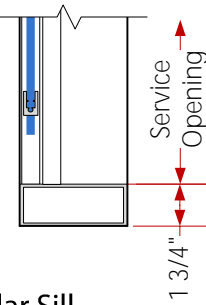
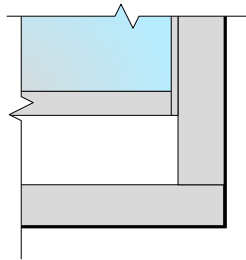
Unit 302, 6741 Cariboo Rd.
Burnaby, B.C.
Canada V3N 4A3
Tel: 604.422.8611
Fax: 604.422.8376
www.easi-serv.com

Project: Transaction Windows

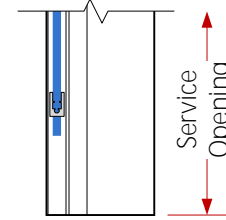
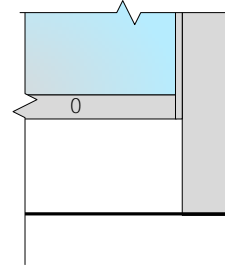
Title: In Line Vertical Lift
Custom Size
SUI-C Series

Drawn: PJF Scale: 1" : 1ft Revision: 2015 Date Drawn: 19/2/2010 Job: Design Sheet: SUI-C



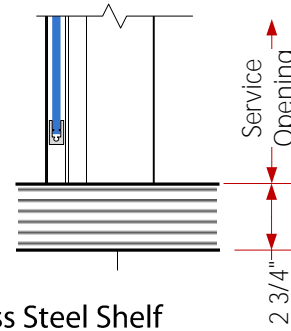
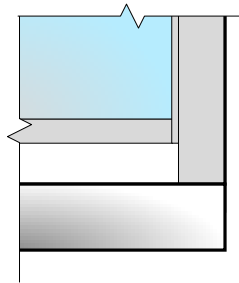


1 3/4" Rectangular Sill



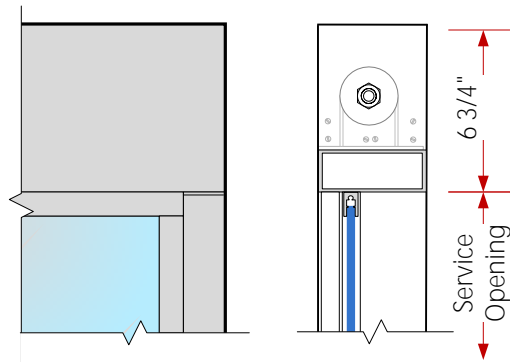
No Sill

Standard on All Windows



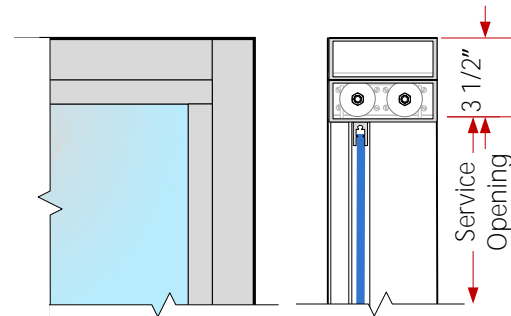
2 3/4" Stainless Steel Shelf

2 3/4"



6 3/4" Header

Standard on Automatic windows;
Option for Manual windows



3 1/2" Header

Standard on Manual windows