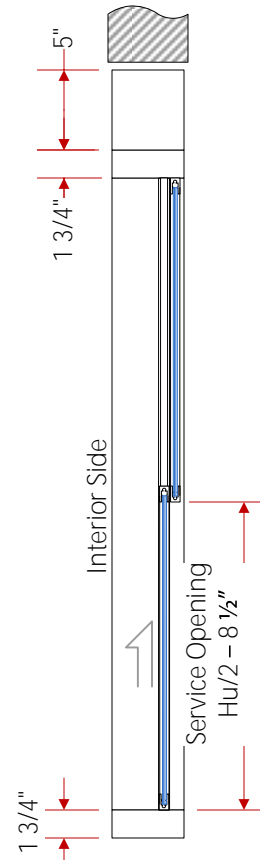


	Width	Height	Thick
Overall Unit Dimensions	Wu in	Hu in	4 1/2in
Service Opening Dimensions	Wu-3 1/2in	Hu/2-8 1/2in	N/A

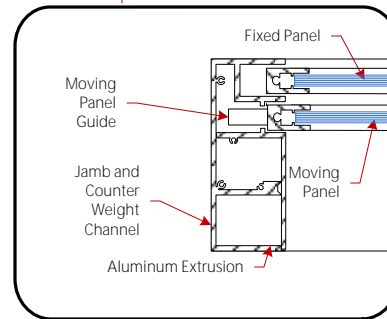
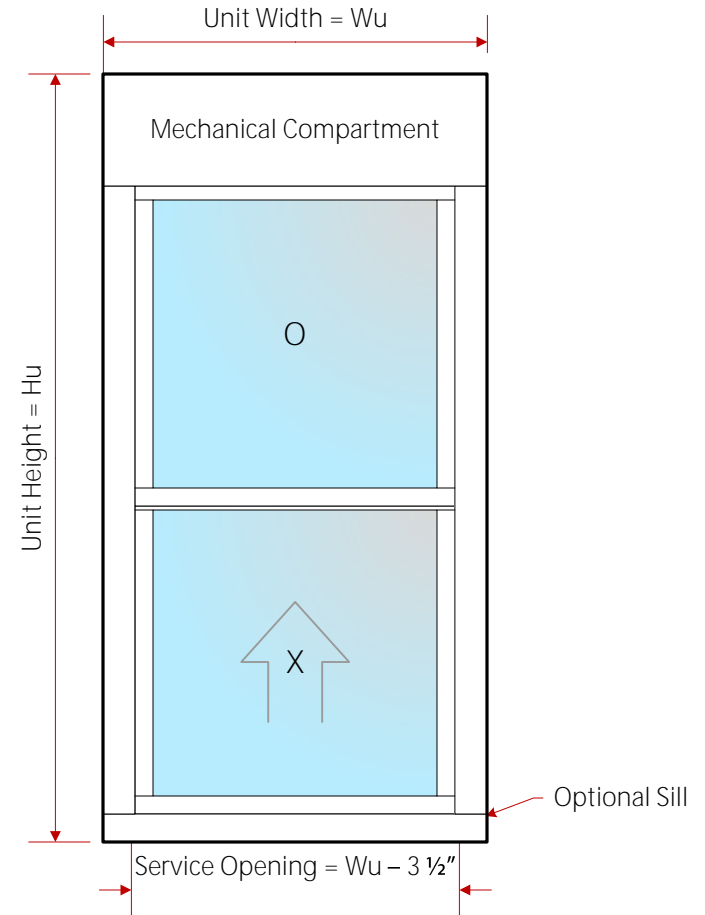
	IL 100-C	IL 200-C
Manual Open / Close		●
Automatic Open / Close	●	
Optical Sensor Actuation	●	
Built-in Alarm Contacts	●	●
Plunger Lock		●
No Sill for Counter Mount	Option	Option

Standard Finishes	Class II Clear Anodized Class II Dark Bronze Anodized
Custom Finishes	Class II Black Anodized Class II Light Bronze Anodized Powder Coat Durachron Baked Enamel Duramar High Performance Baked Enamel
Standard Glass Options	1/4" Clear Tempered 1/4" Clear Laminated
Custom Glass Options	For Tints and other Glass Make-ups Call Easi-Serv

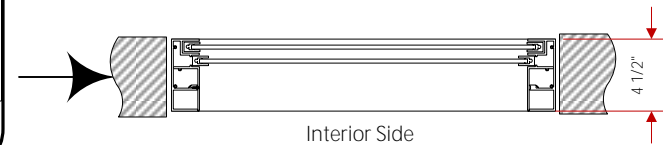
### VERTICAL SECTION



### EXTERIOR ELEVATION



### HORIZONTAL SECTION

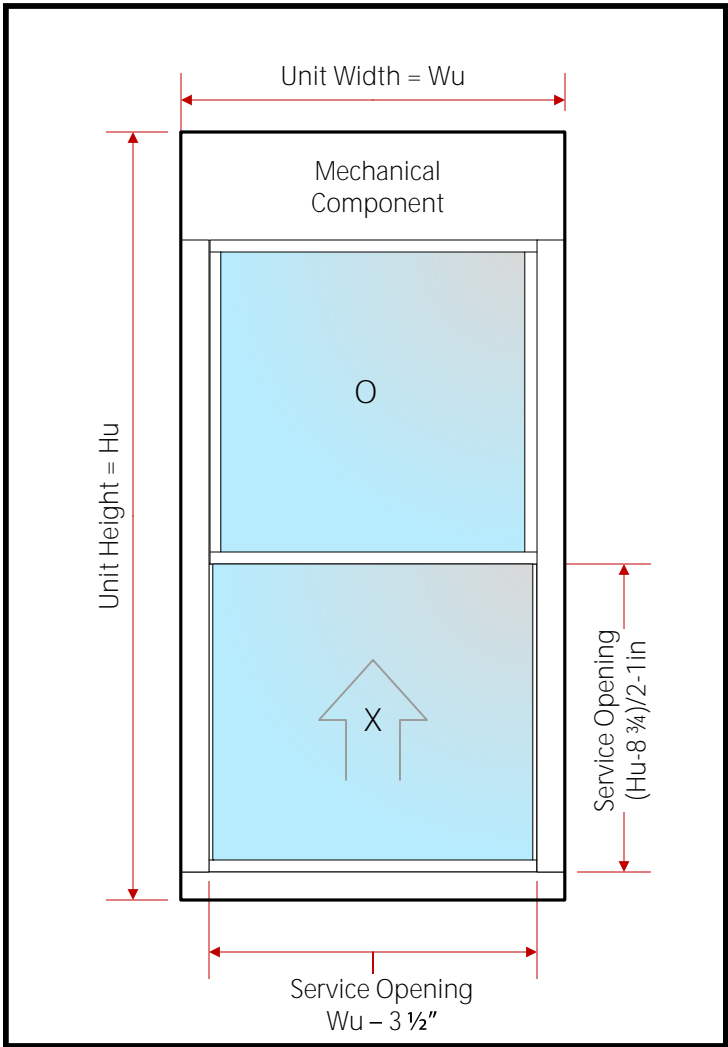


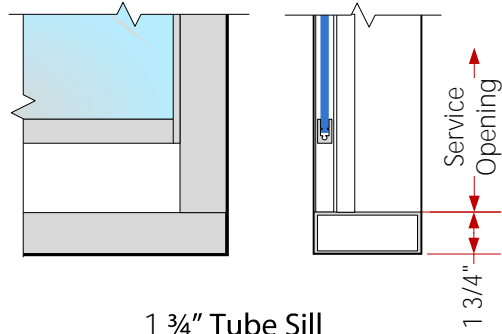
Unit 302, 6741 Cariboo Rd.  
Burnaby, B.C.  
Canada V3N 4A3  
Tel: 604.422.8611  
Fax: 604.422.8376  
www.easi-serv.com

Project: Transaction Windows

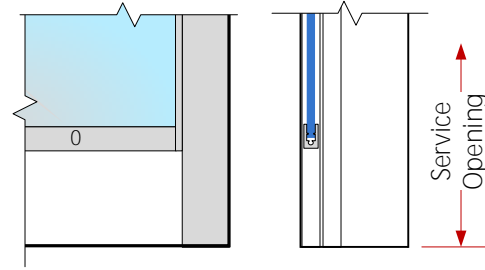
Title: In Line Vertical Lift  
Custom Size  
IL-C Series

Drawn: PJF Scale: 1" : 1ft Revision: 2015 Date Drawn: 19/2/2010 Job: Design Sheet: IL-C

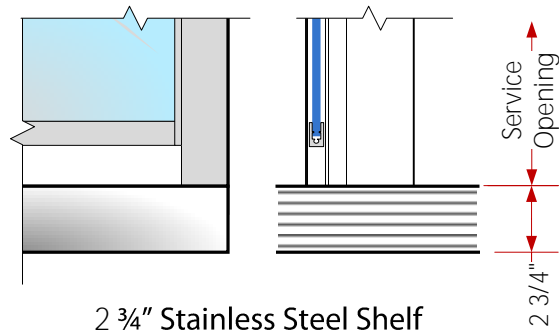




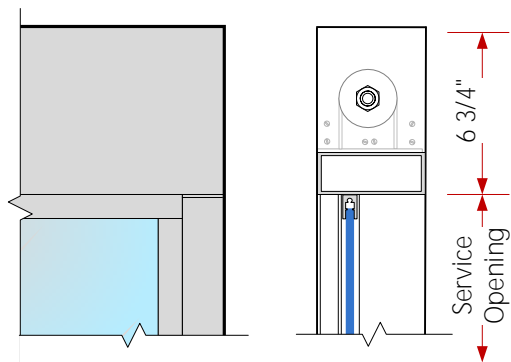
1 3/4" Tube Sill  
Standard on All Windows



No Sill

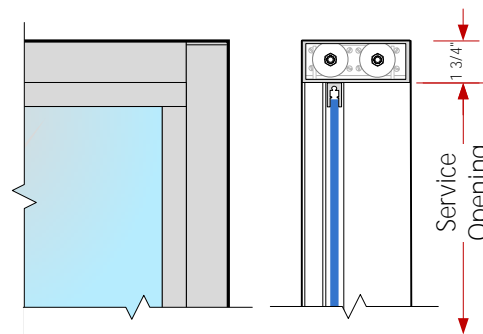


2 3/4" Stainless Steel Shelf



6 3/4" Header

Standard on Automatic Windows  
Option for Manual Windows



1 3/4" Header

Standard on Manual Windows